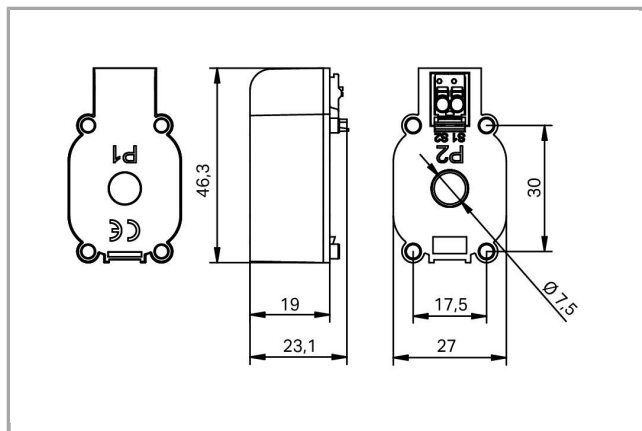


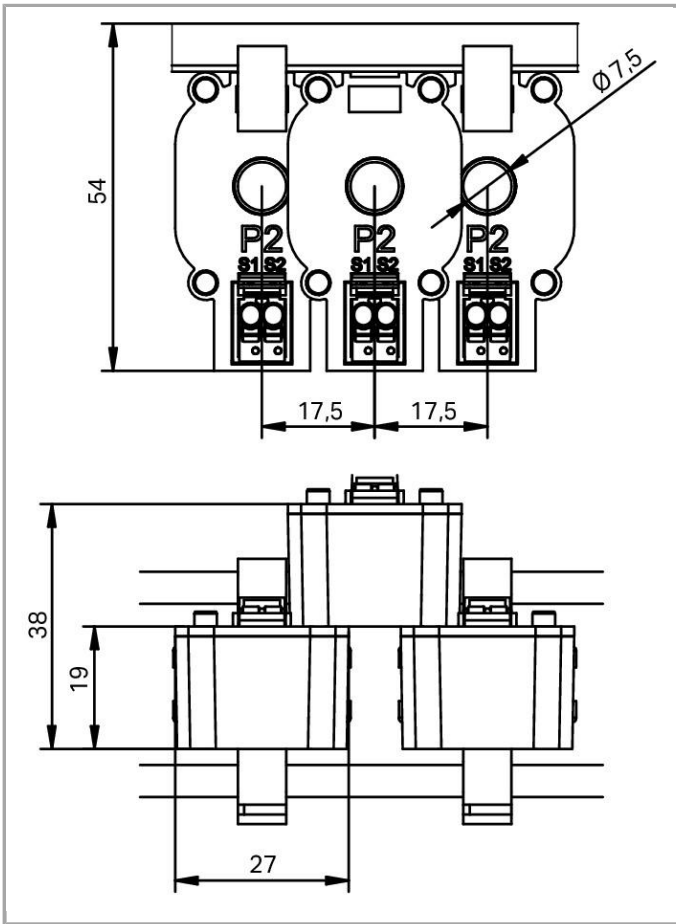
Data sheet | Item number: 855-2701/035-001

Plug-in current transformer; Primary rated current: 35 A; Secondary rated current: 1 A; Rated power: 0.2 VA; Accuracy class: 1



855-2701/035-001





## Item description

### Short description:

The 855 Series Plug-In Current Transformers are inductive, single-conductor current transformers. Due to the measurement principle used, these current transformers are exclusively designed for AC network applications.

### Features:

- First current transformer featuring *picoMAX*<sup>®</sup> connection technology
- Also suitable for space-restricted applications
- Simple assembly permits 17.5 mm phase spacing, allowing perfect adjustment to any circuit breaker.
- Easy mounting on DIN rails or panels via carrier rail adapter
- Converts current from 64 A or 35 A to 1 A
- Accuracy class 1

## Data

### Technical Data

#### Input – current transformer

Primary rated current

35 A

Rated continuous thermal current $I_{cth}$	100 %
Rated short-time thermal current $I_{th}$	$60 \times I_N / 1 \text{ s}$
Rated surge current $I_{dyn}$	$2.5 \times I_{th}$
Rated frequency	50 ... 60 Hz

### Output – Current transformer

Highest voltage for equipment $U_m$	$720 V_{rms} \text{ AC}$
Secondary rated current	1 A
Rated power $S_r$	0.2 VA

### Measurement error

Accuracy class	1
----------------	---

### Safety and protection:

Highest voltage for equipment $U_m$	$AC 720 V_{rms}$
Test voltage	AC 3 kV; 50 Hz; 1 min
Protection class	IP20

### Connection data

Connection technology	Push-in CAGE CLAMP®
WAGO terminal	picoMAX® 3.5, 2091-1122
Solid conductor	0.2 ... 1.5 mm <sup>2</sup> / 24 ... 14 AWG
Fine-stranded conductor	0.2 ... 1.5 mm <sup>2</sup> / 24 ... 14 AWG
Strip length	8 ... 9 mm / 0.31 ... 0.35 inch
Feedthrough for measurement conductor	Ø 7.5 mm

### Geometrical Data

Width	27 mm / 1.063 inch
Height	46 mm / 1.811 inch
Depth	23 mm / 0.906 inch

### Mechanical data

Type of mounting	Current transformers (closed) Mounting on carrier rail via carrier rail adapter Mounting on round cable
------------------	---

## Material Data

Insulation class	E
Flammability class per UL94	V2
Housing material	PA 66
Weight	47 g

## Environmental Requirements

Surrounding air (operating) temperature	-10 ... 55 °C
Surrounding air (storage) temperature	-20 ... 70 °C
Relative humidity	5 ... 85 % (no condensation)
Max. operating altitude	2000 m

## Standards and specifications


Conformity marking	CE
Standards/specifications	EN 61869-1; EN 61869-2; UL

## Commercial data

Country of origin	NL
GTIN	4050821864240
Customs Tariff No.	85043180888

## Approvals / Certificates








### UL-Approvals

Logo	Approval	Additional Approval Text	Certificate name
	UL Underwriters Laboratories Inc.	-	E356480

## Compatible products

### General accessories

	Item no.: 2007-8873 Compact terminal block; for current and voltage transformers	2007-8873
	Item no.: 2007-8874 Compact terminal block; for current and voltage transformers	2007-8874

	<b>Item no.: 2007-8875</b> Compact terminal block; for current transformer circuit	2007-8875
	<b>Item no.: 2007-8876</b> Compact terminal block; for 3-phase current transformer circuit	2007-8876
	<b>Item no.: 2007-8877</b> Compact terminal block; for current transformer circuit	2007-8877
	<b>Item no.: 2857-570/024-001</b> 3-Phase Power Measurement Module; 3x400/690 V/1 A; Modbus RTU; Digital output; Configuration via software; Supply voltage: 24 VDC	2857-570 /024-001
	<b>Item no.: 857-550</b> Current signal conditioner; Current input signal; Current and voltage output signal; Digital output; Configuration via software; Supply voltage: 24 VDC; 6 mm module width	857-550
<b>assembling</b>		
	<b>Item no.: 855-9927</b> Carrier rail adapter	855-9927
<b>tools</b>		
	<b>Item no.: 210-719</b> Operating tool with partially insulated shaft; Type 1, blade (2.5 x 0.4) mm	210-719

## Downloads

### Documentation

#### Instruction Leaflet

Plug-In Current Transformers with picoMAX® Pluggable Connector	pdf	Download
	328.4 kB	

#### Additional Information

Disposal; Electrical and electronic equipment, Packaging	V 1.0.0	pdf	Download
		265.8 kB	

## Engineering-Software

### Software for Interface-Products

Interface Configuration Software SMALL	1.6.2.11	exe	Download
The full setup only includes the WAGO Interface Configuration Software.	Jan 14, 2019	47.1 MB	
Interface Configuration Software FULL	1.6.2.11	exe	Download
The full setup, in addition to the WAGO Interface Configuration Software, includes the installation for the Microsoft .NET Framework.	Jan 14, 2019	97.5 MB	



Subject to changes.

---